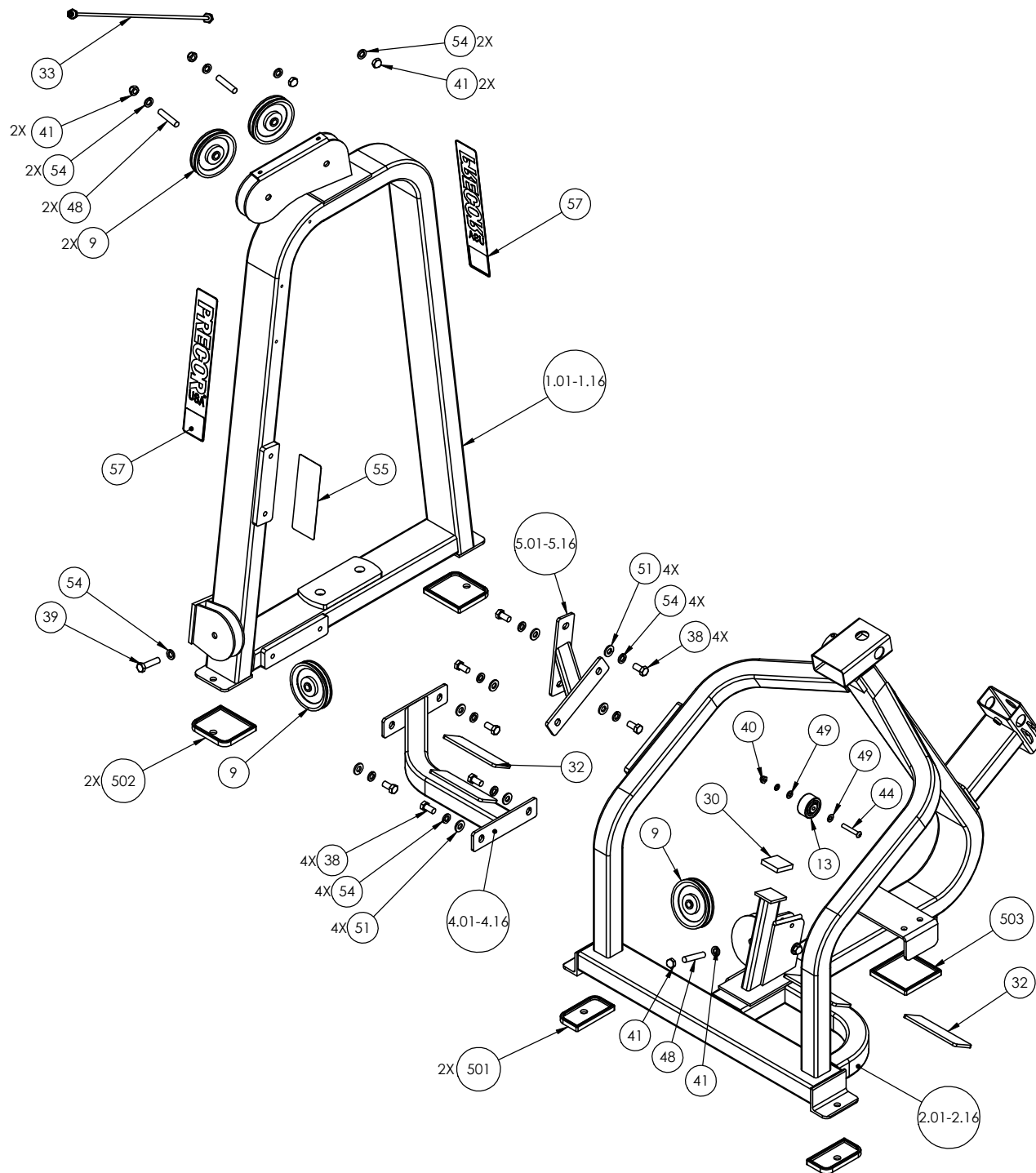
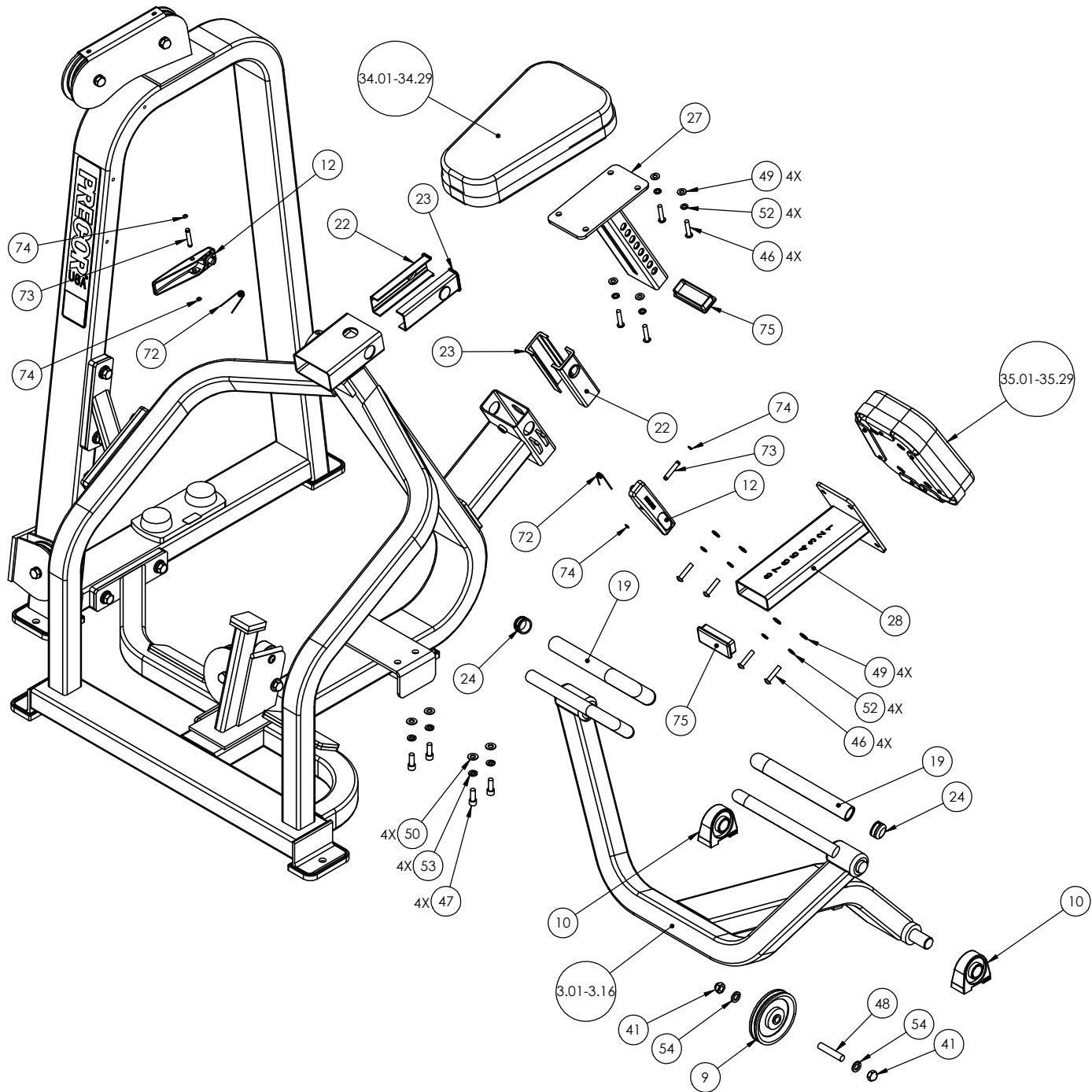


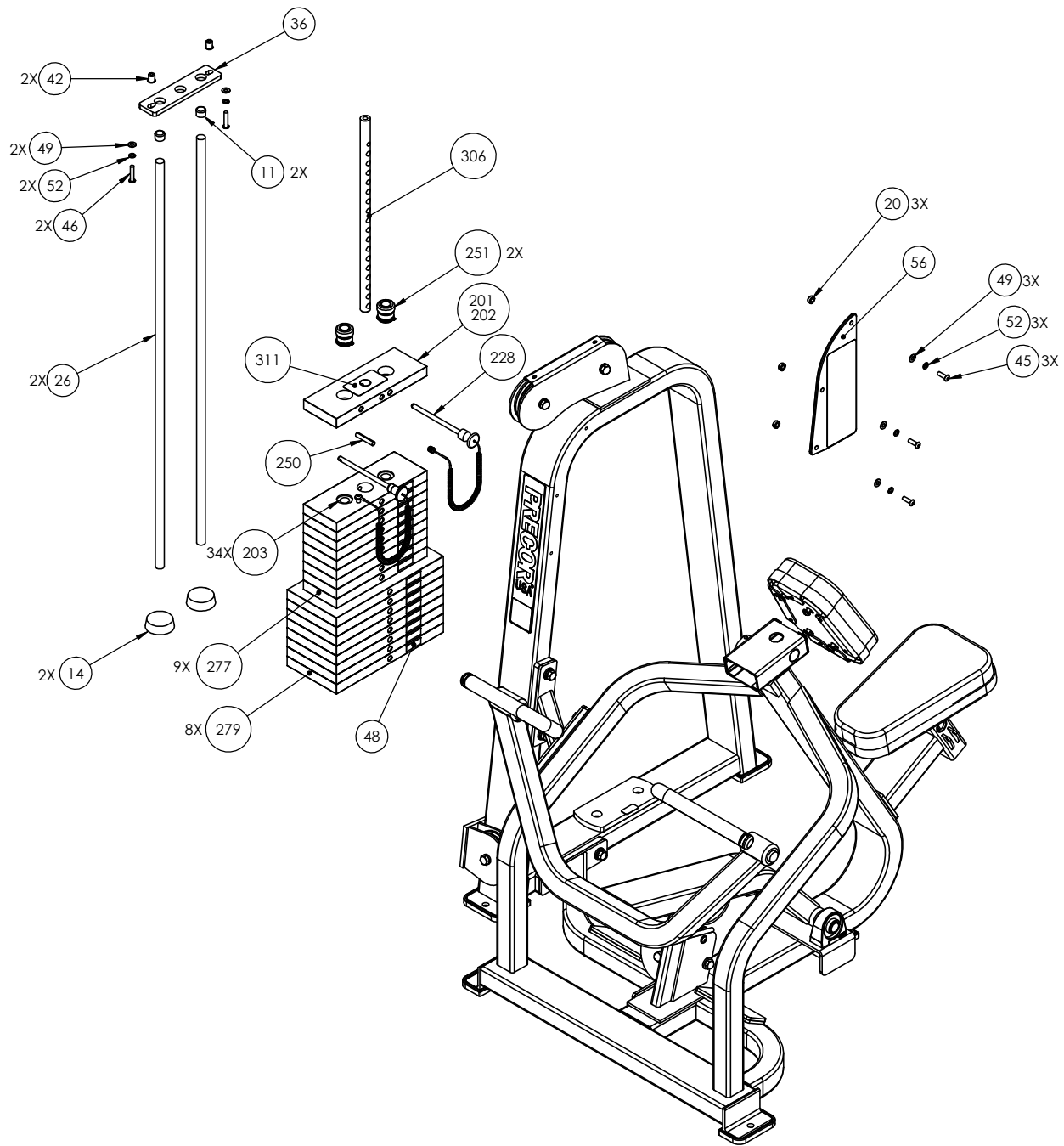
310	P/N : CW31027-102	SUBREV : B01
DRAWN BY : JEC	DATE : 12.06.07	SHEET 1 OF 4



310	P/N : CW31027-102	SUBREV : B01
DRAWN BY : JEC	DATE : 12.06.07	SHEET 2 OF 4



310	P/N : CW31027-102	SUBREV : B01
DRAWN BY : JEC	DATE : 12.06.07	SHEET 3 OF 4



310	P/N : CW31027-102	SUBREV : B01
DRAWN BY : JEC	DATE : 12.06.07	SHEET 4 OF 4

310 Seated Row

Part Number	Description	Bubble Number
CW310SA1-211	ASSY,FRAME,MAIN,310,SKY WHITE	1.01
CW310SA1-221	ASSY,FRAME,MAIN,310,BLACK	1.02
CW310SA1-231	ASSY,FRAME,MAIN,310,RED	1.03
CW310SA1-241	ASSY,FRAME,MAIN,310,PLATINUM SPRKLE	1.04
CW310SA1-251	ASSY,FRAME,MAIN,310,SILVER	1.05
CW310SA1-261	ASSY,FRAME,MAIN,310,BLUE	1.06
CW310SA1-271	ASSY,FRAME,MAIN,310,CHARCOAL	1.07
CW310SA1-281	ASSY,FRAME,MAIN,310,CATHEDRAL GRAY	1.08
CW310SA1-291	ASSY,FRAME,MAIN,310,SILVER VIEN	1.09
CW310SA1-311	ASSY,FRAME,MAIN,310,STONE HG	1.11
CW310SA1-321	ASSY,FRAME,MAIN,310,TITANIUM HG	1.12
CW310SA1-331	ASSY,FRAME,MAIN,310,WHITE GLOSS	1.13
CW310SA1-341	ASSY,FRAME,MAIN,310,BLACK ONYX	1.14
CW310SA1-351	ASSY,FRAME,MAIN,310,LIGHT BRONZE	1.15
CW310SA1-361	ASSY,FRAME,MAIN,310,SAPPHIRE BLUE	1.16
CW310SA2-211	ASSY,SEAT FRAME,310,SKY WHITE	2.01
CW310SA2-212	ASSY,SEAT FRAME,310,SKY WHITE	2.01
CW310SA2-221	ASSY,SEAT FRAME,310,BLACK	2.02
CW310SA2-231	ASSY,SEAT FRAME,310,RED	2.03
CW310SA2-241	ASSY,SEAT FRAME,310,PLATINUM SPARKL	2.04
CW310SA2-251	ASSY,SEAT FRAME,310,SILVER	2.05
CW310SA2-261	ASSY,SEAT FRAME,310,BLUE	2.06
CW310SA2-271	ASSY,SEAT FRAME,310,CHARCOAL	2.07
CW310SA2-281	ASSY,SEAT FRAME,310,CATHEDRAL GRAY	2.08
CW310SA2-291	ASSY,SEAT FRAME,310,SILVER VEIN	2.09
CW310SA2-312	ASSY,SEAT FRAME,310,STONE HG	2.11
CW310SA2-321	ASSY,SEAT FRAME,310,TITANIUM HG	2.12
CW310SA2-322	ASSY,SEAT FRAME,310,TITANIUM HG	2.12
CW310SA2-331	ASSY,SEAT FRAME,310,WHITE GLOSS	2.13
CW310SA2-341	ASSY,SEAT FRAME,310,BLACK ONYX	2.14
CW310SA2-351	ASSY,SEAT FRAME,310,LIGHT BRONZE	2.15
CW310SA2-361	ASSY,SEAT FRAME,310,SAPPHIRE BLUE	2.16
CW310SA3-211	ASSY, HANDLE, 310,SKY WHITE	3.01
CW310SA3-221	ASSY, HANDLE, 310,BLACK	3.02
CW310SA3-231	ASSY, HANDLE, 310,RED	3.03
CW310SA3-241	ASSY, HANDLE, 310,PLAT SPKLE	3.04
CW310SA3-251	ASSY, HANDLE, 310,SILVER	3.05
CW310SA3-261	CW310SA3ASSY, HANDLE, 310,BLUE	3.06
CW310SA3-271	ASSY, HANDLE, 310,CHARCOAL	3.07
CW310SA3-281	ASSY, HANDLE, 310,CATH GRY	3.08
CW310SA3-291	ASSY, HANDLE, 310,SILVER VIEN	3.09
CW310SA3-311	ASSY, HANDLE, 310,STONE HG	3.11
CW310SA3-321	ASSY, HANDLE, 310,TITANIUM HG	3.12
CW310SA3-331	ASSY, HANDLE, 310,WHITE GLOSS	3.13
CW310SA3-341	ASSY, HANDLE, 310,BLACK ONYX	3.14
CW310SA3-351	ASSY, HANDLE, 310,LIGHT BRONZE	3.15
CW310SA3-361	ASSY, HANDLE, 310,SAPPHIRE BLUE	3.16
CW310SA4-211	ASSY,LOWER STRUT, 310,SKY WHITE	4.01

CW310SA4-221	ASSY,LOWER STRUT, 310,BLACK	4.02
CW310SA4-231	ASSY,LOWER STRUT, 310,RED	4.03
CW310SA4-241	ASSY,LOWER STRUT, 310,PLATINUM SPAR	4.04
CW310SA4-251	ASSY,LOWER STRUT, 310,SILVER	4.05
CW310SA4-261	ASSY,LOWER STRUT, 310,BLUE	4.06
CW310SA4-271	ASSY,LOWER STRUT, 310,CHARCOAL	4.07
CW310SA4-281	ASSY,LOWER STRUT, 310,CATHEDRAL GRA	4.08
CW310SA4-291	ASSY,LOWER STRUT, 310,SILVER VEIN	4.09
CW310SA4-321	ASSY,LOWER STRUT, 310,TITANIUM HG	4.12
CW310SA4-331	ASSY,LOWER STRUT, 310,WHITE GLOSS	4.13
CW310SA4-341	ASSY,LOWER STRUT, 310,BLACK ONYX	4.14
CW310SA4-351	ASSY,LOWER STRUT, 310,LIGHT BRONZE	4.15
CW310SA4-361	ASSY,LOWER STRUT, 310,SAPPHIRE BLUE	4.16
CW310SA6-211	ASSY,UPPER STRUT, 310,SKY WHITE	5.01
CW310SA6-221	ASSY,UPPER STRUT, 310,BLACK	5.02
CW310SA6-231	ASSY,UPPER STRUT, 310,RED	5.03
CW310SA6-241	ASSY,UPPER STRUT, 310,PLATINUM SPAR	5.04
CW310SA6-251	ASSY,UPPER STRUT, 310,SILVER	5.05
CW310SA6-261	ASSY,UPPER STRUT, 310,BLUE	5.06
CW310SA6-271	ASSY,UPPER STRUT, 310,CHARCOAL	5.07
CW310SA6-281	ASSY,UPPER STRUT, 310,CATHEDRAL GRA	5.08
CW310SA6-291	ASSY,UPPER STRUT, 310,SILVER VEIN	5.09
CW310SA6-311	ASSY,UPPER STRUT, 310,STONE HG	5.11
CW310SA6-321	ASSY,UPPER STRUT, 310,TITANIUM HG	5.12
CW310SA6-331	ASSY,UPPER STRUT, 310,WHITE GLOSS	5.13
CW310SA6-341	ASSY,UPPER STRUT, 310,BLACK ONYX	5.14
CW310SA6-351	ASSY,UPPER STRUT, 310,LIGHT BRONZE	5.15
CW310SA6-361	ASSY,UPPER STRUT, 310,SAPPHIRE BLUE	5.16
CW30032-101	LABEL,INSTRUCTION,310	6
CWAC1001-101	LABEL, "ICARIAN", 1 1/2 X 8 1/8	7
CWAC1002-101	LABEL, "ICARIAN", 3 X 16 3/8	8
CWAC1009-101	PULLEY, 4 1/2 DIA X 1/2 ID	9
CW12406-101	PILLOW BLOCK, BEARING, 2 BOLT	10
CW12404-101	CAP, GUIDE ROD,DIA 3/4, BLK	11
CW30165-752	ASSY, POP PIN, 0.450 DIA NOSE, BLU	12
CW11396-101	WHEEL, NEOPRENE RUBBER W/ BEARINGS	13
CW12402-101	BUMPER, ID 1.050, BLK RUBBER	14
CWAC1161-101	LABEL, ROUND, "MADE IN USA"	15
CWAC1183-101	LABEL, WARNING, SERIOUS INJURY	17
CWGR4620-000	GRIP, RUBBER, 1.00" OD HANDLE, 20.0	19
CWAC1228-901	SPACER, ALU,.328 ID X .625 OD X .25	20
CWAC218-901	HANDLE END CAP W/SET SCREWS, DIA 1"	24
CWPF1212-711	GUIDE ROD, 3/4 X 42 5/8 (#4), CHM	26
CW32212-711	ASSEMBLY, SEATPAD ADJUSTMENT, 8 HO	27
CW32213-711	ASSEMBLY, CHEST ADJUSTMENT, ANGLE	28
CW30014-205	CUT PIECE, CREPE, 3/8 THICK, 2.00 X	29
CW30014-203	CUT PIECE, CREPE, 3/8 THICK, 2.00 X	30
CW33587-101	ASSY, ABS BLACK, 1/8 X 1 3/4 X 3 1/	31
CW30013-202	CUT PIECE, CREPE, 1/4 THICK, 2.50 X	32
CWCLGP127-125	ASSY, CABLE, 310	33
CWPD1207B-101	PAD,5X9X14.5,4HOLES,W/BP,BLACK	34.01

CWPD1207B-102	PAD,5X9X14.5,4HOLES,W/BP,RYL BL	34.02
CWPD1207B-103	PAD,5X9X14.5,4HOLES,W/BP,DVE GRY	34.03
CWPD1207B-104	PAD,5X9X14.5,4HOLES,W/BP,CROCUS	34.04
CWPD1207B-105	PAD,5X9X14.5,4HOLES,W/BP,GROTTO	34.05
CWPD1207B-107	PAD,5X9X14.5,4HOLES,W/BP,RED	34.07
CWPD1207B-108	PAD,5X9X14.5,4HOLES,W/BP,CHN GRN	34.08
CWPD1207B-109	PAD,5X9X14.5,4HOLES,W/BP,TURQSE	34.09
CWPD1207B-111	PAD,5X9X14.5,4HOLES,W/BP,PLUM	34.11
CWPD1207B-113	PAD,5X9X14.5,4HOLES,W/BP,SPC BLUE	34.13
CWPD1207B-118	PAD,5X9X14.5,4HOLES,W/BP,IMPRL BL	34.18
CWPD1207B-119	PAD,5X9X14.5,4HOLES,W/BP,YEW GRN	34.19
CWPD1207B-120	PAD,5X9X14.5,4HOLES,W/BP,DSTY JD	34.2
CWPD1207B-121	PAD,5X9X14.5,4HOLES,W/BP,TER COT	34.21
CWPD1207B-122	PAD,5X9X14.5,4HOLES,W/BP,PAPRIKA	34.22
CWPD1207B-123	PAD,5X9X14.5,4HLS,W/BP,ASH LTHR	34.23
CWPD1207B-125	PAD,5X9X14.5,4HLS,W/BP,CHARCOAL LTH	34.25
CWPD1207B-126	PAD,5X9X14.5,4HLS,W/BP,HUNTER LTHR	34.26
CWPD1207B-127	PAD,5X9X14.5,4HLS,W/BP,MOSS LTHR	34.27
CWPD1207B-128	PAD,5X9X14.5,4HLS,W/BP,SPICE LTHR	34.28
CWPD1207B-129	PAD,5X9X14.5,4HLS,W/BP,TOMATO LTH	34.29
CWPD1209B-101	PAD,6.25X9X10,4HOLES,W/BP,BLACK	35.01
CWPD1209B-102	PAD,6.25X9X10,4HOLES,W/BP,RYL BL	35.02
CWPD1209B-103	PAD,6.25X9X10,4HOLES,W/BP,DVE GRY	35.03
CWPD1209B-104	PAD,6.25X9X10,4HOLES,W/BP,CROCUS	35.04
CWPD1209B-105	PAD,6.25X9X10,4HOLES,W/BP,GROTTO	35.05
CWPD1209B-106	PAD,6.25X9X10,4HOLES,W/BP,GRAPHITE	35.06
CWPD1209B-107	PAD,6.25X9X10,4HOLES,W/BP,RED	35.07
CWPD1209B-108	PAD,6.25X9X10,4HOLES,W/BP,CHN GRN	35.08
CWPD1209B-109	PAD,6.25X9X10,4HOLES,W/BP,TURQSE	35.09
CWPD1209B-110	PAD,6.25X9X10,4HOLES,W/BP,RASP	35.1
CWPD1209B-111	PAD,6.25X9X10,4HOLES,W/BP,PLUM	35.11
CWPD1209B-112	PAD,6.25X9X10,4HOLES,W/BP,REGIMENT	35.12
CWPD1209B-113	PAD,6.25X9X10,4HOLES,W/BP,SPC BLUE	35.13
CWPD1209B-115	PAD,6.25X9X10,4HOLES,W/BP,BLK LTHR	35.15
CWPD1209B-116	PAD,6.25X9X10,4HOLES,W/BP,NVBL LTH	35.16
CWPD1209B-117	PAD,6.25X9X10,4HOLES,W/BP,PUTTY	35.17
CWPD1209B-118	PAD,6.25X9X10,4HOLES,W/BP,IMPRL BL	35.18
CWPD1209B-119	PAD,6.25X9X10,4HOLES,W/BP,YEW GRN	35.19
CWPD1209B-120	PAD,6.25X9X10,4HOLES,W/BP,DSTY JD	35.2
CWPD1209B-121	PAD,6.25X9X10,4HOLES,W/BP,TER COT	35.21
CWPD1209B-122	PAD,6.25X9X10,4HOLES,W/BP,PAPRIKA	35.22
CWPD1209B-123	PAD,6.25X9X10,4HLS,W/BP,ASH LTHR	35.23
CWPD1209B-124	PAD,6.25X9X10,4HL,W/BP,CERULAN LTHR	35.24
CWPD1209B-125	PAD,6.25X9X10,4HL,W/BP,CHARCOAL LTH	35.25
CWPD1209B-126	PAD,6.25X9X10,4HLS,W/BP,HUNTER LTHR	35.26
CWPD1209B-127	PAD,6.25X9X10,4HLS,W/BP,MOSS LTHR	35.27
CWPD1209B-128	PAD,6.25X9X10,4HLS,W/BP,SPICE LTHR	35.28
CWPD1209B-129	PAD,6.25X9X10,4HLS,W/BP,TOMATO LTHR	35.29
CWPF1016-731	BAR, FLAT CR/HR, 3/8 X 2 X 8 1/4, 3	36
CWHCYN050-100	SCREW,HEX HEAD,BLK XYLAN,1/2-13 X 1	38
CWHCYN050-200	SCREW, HEX HEAD, BLK XYLAN, 1/2-13	39

CWKADLN031-053	NUT, ACORN, 5/16-18	40
CWKADLN050-081	NUT, ACORN, 1/2-13	41
CW12537-109	NUT,INSERT,THIN-NUT,LARGE FLANGE	42
CWCLFA1064-741	ROD END, FEMALE, STEEL, ZINC, CAD,	43
CWTAYN031-200	SCREW, BUTTON HEAD, BLK XYLAN, 5/16	44
CWTAYN031-100	SCREW, BUTTON HEAD, BLK XYLAN, 5/16	45
CWTAYN031-150	SCREW, BUTTON HEAD, BLK XYLAN, 5/16	46
CWCAYN038-100	SCREW, SOCKET HEAD, BLK XYLAN, 3/8	47
CWBFNN050-250	STUD, 1/2-13 X 2 1/2	48
CWWBKN031-007	WASHER, FLAT, TYPE A, SAE, 5/16 ID	49
CWWBKN038-007	WASHER, FLAT, TYPE A, SAE, 3/8 ID	50
CWWBKN050-010	WASHER, FLAT, TYPE A, SAE, 1/2 ID X	51
CWWALYN031-008	WASHER, SPLIT, 5/16 ID, BL	52
CWWALYN038-009	WASHER, SPLIT, 3/8 ID, BLK XYLAN	53
CWWALYN050-013	WASHER, SPLIT, 1/2 ID, BLK XYLAN	54
CW30141-101	ASSY, LABEL,INSTRUCTION,310	56
CW31756-101	LABEL, PRECOR USA ICARIAN LINE	57
CW33626-901	GUIDE, THIN, TELESCOPING TUBE	110.01
CW33626-902	GUIDE, THCK, TELESCOPING TUBE	110.02
CWAC1133-101	BUSHING, WEIGHT PLATE, LDPE PLASTIC	203
CW33870-102	ASSEMBLY, 5" WEIGHT STACK PIN & LEA	228
CW10519-721	PLATE, WEIGHT, 20 LBS, WRKL BLK	279
CW32560-101	ASSY, PLATE, WEIGHT, MED TOP (MTP-S	299
CW12401-106	LABEL, WEIGHT PLATE, 20 LBS/ 8 KG	319
CW12401-110	LABEL, WEIGHT PLATE, 30 LBS/ 13.6 K	323
CW12401-114	LABEL, WEIGHT PLATE, 40 LBS/ 18.2 K	326
CW12401-118	LABEL, WEIGHT PLATE, 50 LBS/ 22.7 K	330
CW12401-120	LABEL, WEIGHT PLATE, 60 LBS/ 27.3 K	332
CW12401-122	LABEL, WEIGHT PLATE, 70 LBS/ 31.8 K	335
CW12401-124	LABEL, WEIGHT PLATE, 80 LBS/ 36.4 K	337
CW12401-126	LABEL, WEIGHT PLATE, 90 LBS/ 40.9 K	339
CW12401-128	LABEL, WEIGHT PLATE, 100 LBS/ 45.5	341
CW12401-130	LABEL, WEIGHT PLATE, 120 LBS/ 54.6	343
CW12401-132	LABEL, WEIGHT PLATE, 140 LBS/ 63.6	345
CW12401-134	LABEL, WEIGHT PLATE, 160 LBS/ 72.7	347
CW12401-136	LABEL, WEIGHT PLATE, 180 LBS/ 81.8	349
CW12401-138	LABEL, WEIGHT PLATE, 200 LBS/ 90.9	351
CW12401-140	LABEL, WEIGHT PLATE, 220 LBS/ 100 K	353
CW12401-142	LABEL, WEIGHT PLATE, 240 LBS/ 109.1	355
CW12401-144	LABEL, WEIGHT PLATE, 260 LBS/ 118.2	357
CW33270-101	LABELS,WEIGHT STACK,260 LBS,20-260	399
CW33275-101	LABELS,WEIGHT STACK,300LBS,20-300 L	399
CW12537-109	NUT,INSERT,THIN-NUT,LARGE FLANGE	400
CWPF3143-211	SHROUD,SHEET,STEEL,4 BENDS, SKY WHI	402.01
CWPF3143-221	SHROUD,SHEET,STEEL,3/32 THICK,4 BEN	402.02
CWPF3143-231	SHROUD,SHEET,STEEL,3/32 THICK,4 BEN	402.03
CWPF3143-241	SHROUD,SHEET,STEEL,3/32 THICK,4 BEN	402.04
CWPF3143-251	SHROUD,SHEET,STEEL,3/32 THICK,4 BEN	402.05
CWPF3143-261	SHROUD,SHEET,STEEL,3/32 THICK,4 BEN	402.06
CWPF3143-271	SHROUD,SHEET,STEEL,3/32 THICK,4 BEN	402.07
CWPF3143-281	SHROUD,SHEET,STEEL,3/32 THICK,4 BEN	402.08

CWPF3143-291	SHROUD,SHEET,STEEL,3/32 THICK,4 BEN	402.09
CWPF3143-311	SHROUD,SHEET,STEEL,3/32 THICK,4 BEN	402.11
CWPF3143-321	SHROUD,SHEET,STEEL,4 BENDS, TITANIU	402.12
CWPF3143-331	SHROUD,SHEET,STEEL,3/32 THICK,4 BEN	402.13
CWPF3143-341	SHROUD,SHEET,STEEL,3/32 THICK,4 BEN	402.14
CWPF3143-351	SHROUD,SHEET,STEEL,3/32 THICK,4 BEN	402.15
CWPF3143-361	SHROUD,SHEET,STEEL,3/32 THICK,4 BEN	402.16
CWPF3143-711	SHROUD,SHEET,STEEL,3/32 THICK,4 BEN	402.17
CWPF3144-721	SHROUD BRKT,PLATE,STEEL,1/8 THICK,1	403
CWPF3145-721	SHROUD BRKT,PLATE,STEEL,1/8 THICK,2	404
CWTAYN031-100	SCREW, BUTTON HEAD, BLK XYLAN, 5/16	405
CWWALYN031-008	WASHER, SPLIT, 5/16 ID, BL	406
CWWBKN031-007	WASHER, FLAT, TYPE A, SAE, 5/16 ID	407
CWAC1177-101	FLOOR PROTECTOR, RUBBER, 4.563 X 4.	501
CWAC1179-101	FLOOR PROTECTOR, RUBBER, 4.813 X 2.	502
CWAC1181-101	FLOOR PROTECTOR, RUBBER, 4.563 X 4.	503